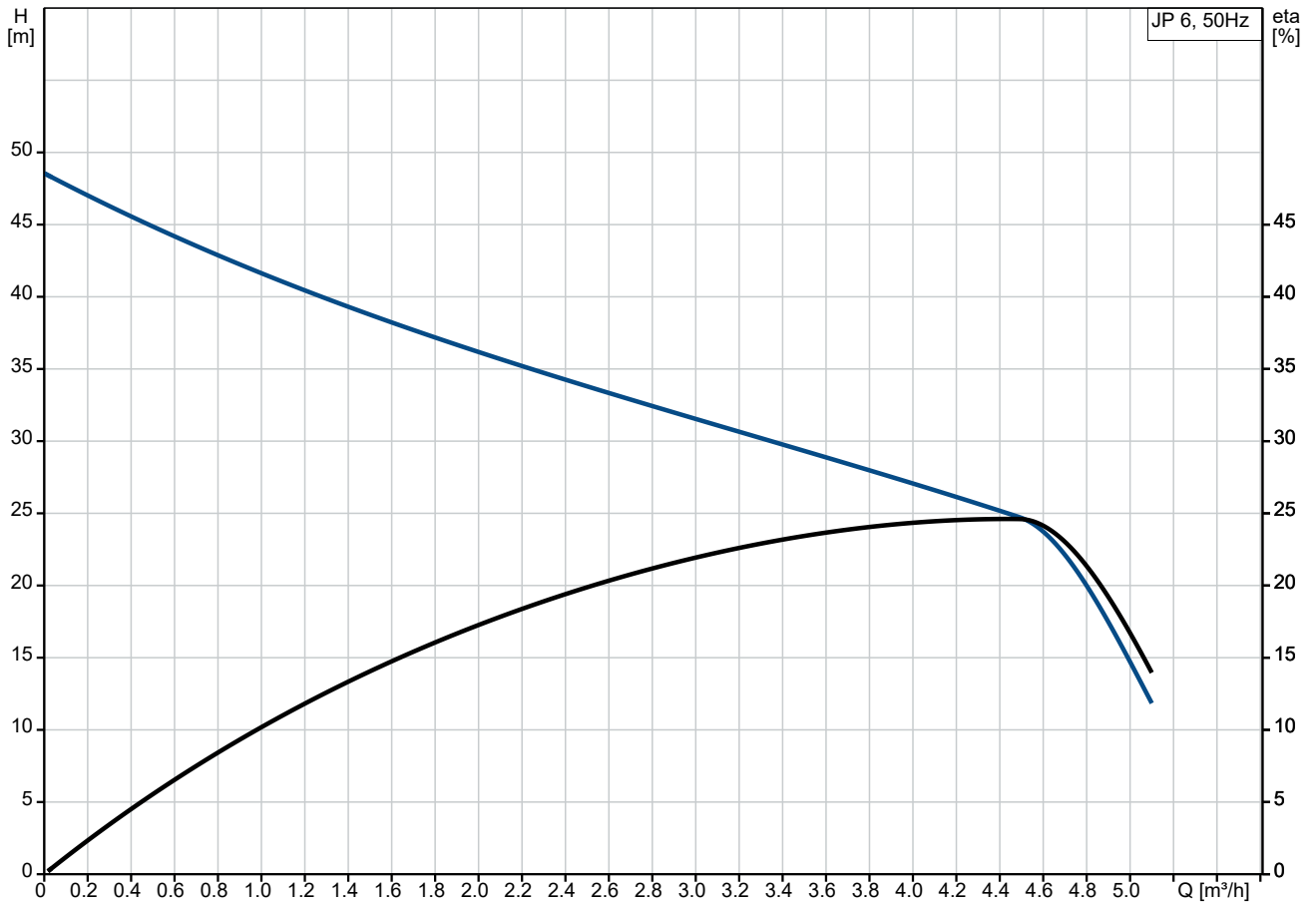
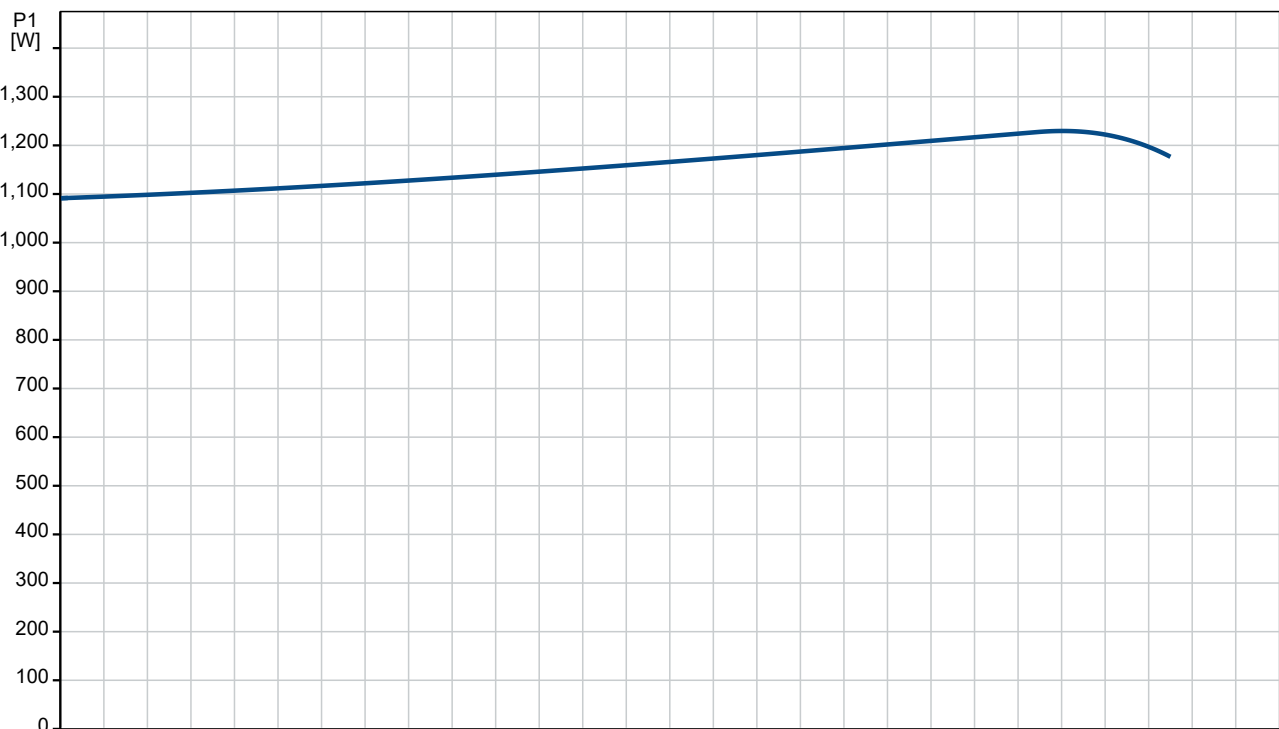


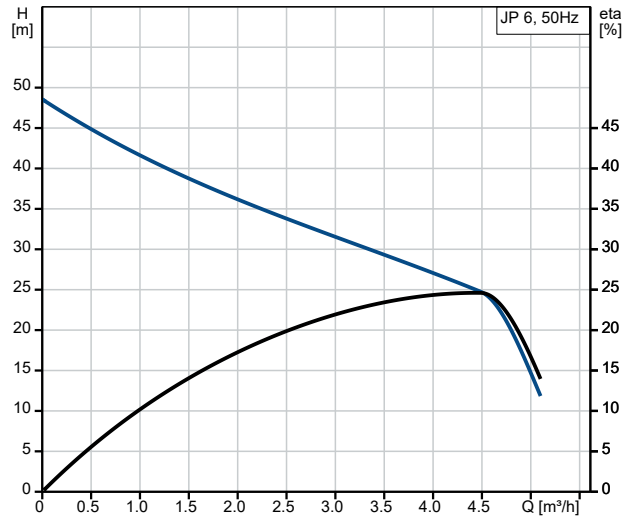
## 46611002 JP 6 B-A-CVBP 50 Hz



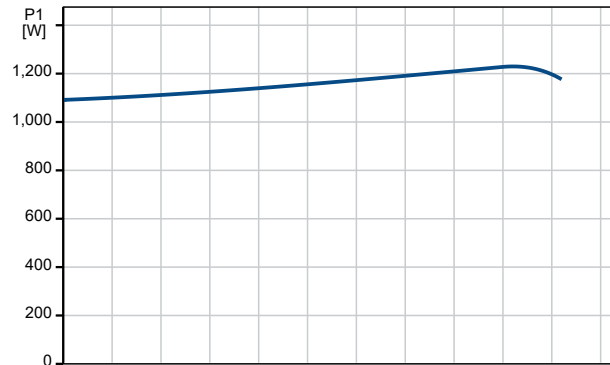
Pumped liquid = Water  
 Liquid temperature during operation = 20 °C  
 Density = 998.2 kg/m³



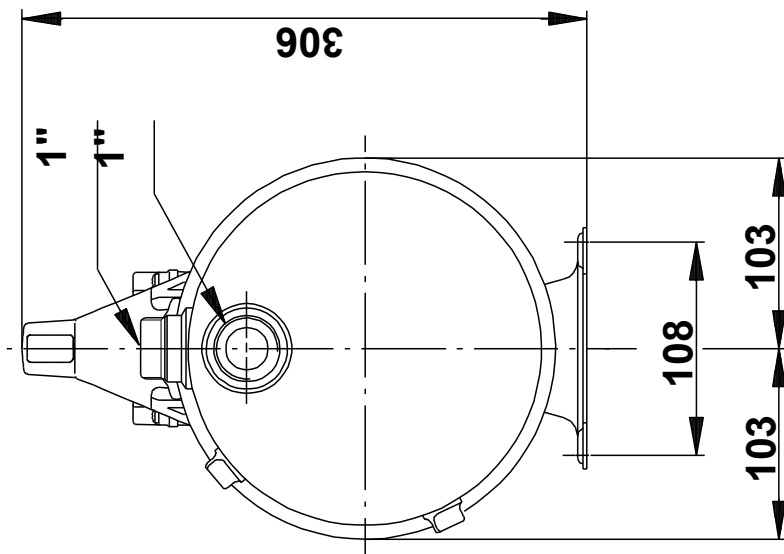
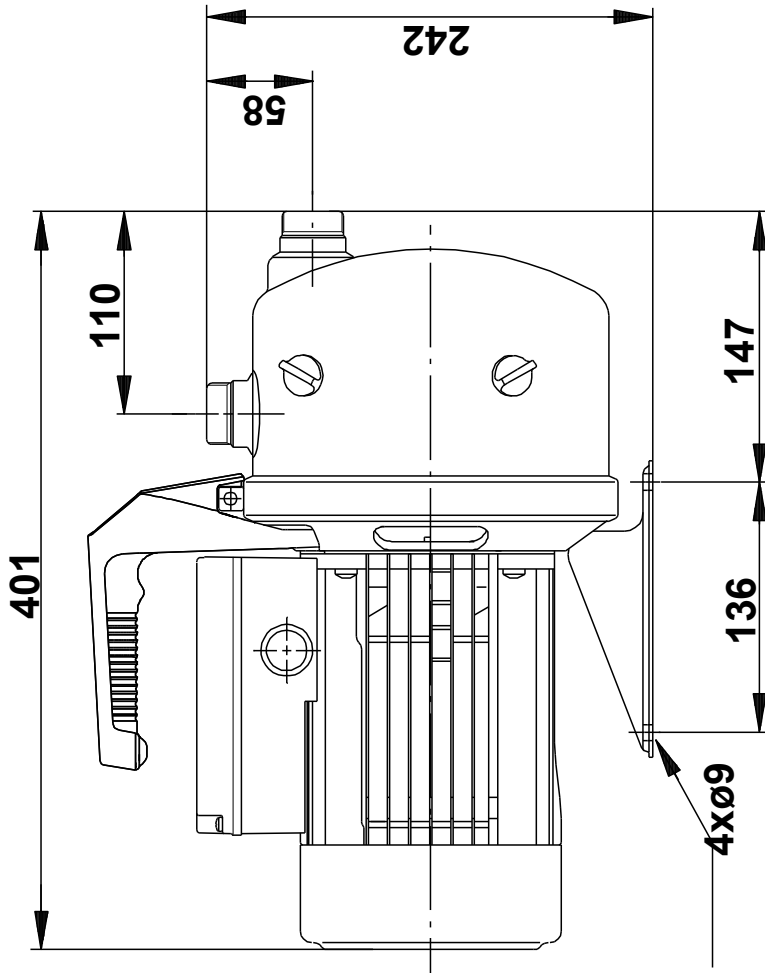
Description	Value
<b>General information:</b>	
Product name:	JP 6 B-A-CVBP
Product No:	46611002
EAN number:	5700390464547
Price:	
<b>Technical:</b>	
Head max:	50 m
Primary shaft seal:	CVBP
Approvals:	CE,EAC
Curve tolerance:	ISO9906:2012 3B
Pump version:	B
Model:	D
Ejector valve:	yes
<b>Materials:</b>	
Pump housing:	Stainless steel
Pump housing:	EN 1.4301
Pump housing:	AISI 304
Impeller:	Stainless steel
Impeller:	DIN W.-Nr. 1.4301
Impeller:	AISI 304
Material code:	A
<b>Installation:</b>	
Range of ambient temperature:	0 .. 40 °C
Maximum operating pressure:	6 bar
Pump inlet:	G1
Pump outlet:	G1
<b>Liquid:</b>	
Pumped liquid:	Water
Liquid temperature range:	1 .. 40 °C
Selected liquid temperature:	20 °C
Density:	998.2 kg/m <sup>3</sup>
<b>Electrical data:</b>	
Power input - P1:	1400 W
Mains frequency:	50 Hz
Rated voltage:	1 x 220-240 V
Rated current:	6 A
Capacitor size - run:	25 µF/400 V
Enclosure class (IEC 34-5):	IP44
Insulation class (IEC 85):	F
Type of cable plug:	SCHUKO
Cable:	Y
<b>Controls:</b>	
Presscontrol:	without press control
Switch:	on/off switch included
<b>Others:</b>	
Net weight:	13 kg
Gross weight:	14 kg
Shipping volume:	0.026 m <sup>3</sup>
Norwegian NRF no.:	9040039



Pumped liquid = Water  
 Liquid temperature during operation = 20 °C  
 Density = 998.2 kg/m<sup>3</sup>



## 46611002 JP 6 B-A-CVBP 50 Hz



Note! All units are in [mm] unless others are stated.  
Disclaimer: This simplified dimensional drawing does not show all details.